



DESCRIPTION

The AO324K consist of four independent high-gain frequency-compensated operational amplifier that is designed specifically to operate from a single supply or split supply over a wide range of voltages.

The AO324K has a high gain-bandwidth product of 1MHz, a slew rate of 0.2V/μs, and a quiescent current of 250μA/amplifier at 5V. The AO324K is designed to provide optimal performance in low voltage and low noise systems. The maximum input offset voltage is 5mV for AO324K.

The AO324K is available in SOP14 package.

ORDERING INFORMATION

Package Type	Part Number	
SOP14 SPQ: 2,500pcs/Reel	M14	AO324KM14R
		AO324KM14VR
Note	V: Halogen free Package R: Tape & Reel	
AiT provides all RoHS products		

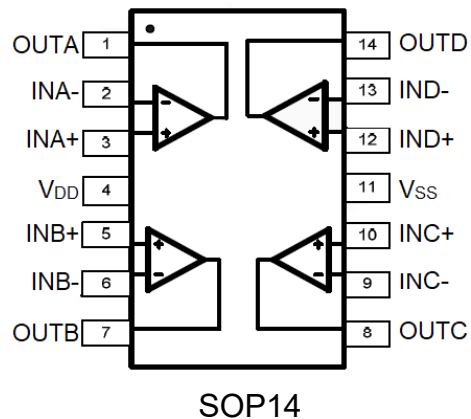
FEATURES

- Single-Supply Operation from +3V ~ +36V
- Dual-Supply Operation from ±1.5V ~ ±18V
- Gain-Bandwidth Product: 1MHz (Typ)
- Low Input Bias Current: 20nA (Typ)
- Low Offset Voltage: 5mV (Max)
- Quiescent Current: 250μA per Amplifier (Typ)
- Input Common Mode Voltage Range Includes Ground

APPLICATION

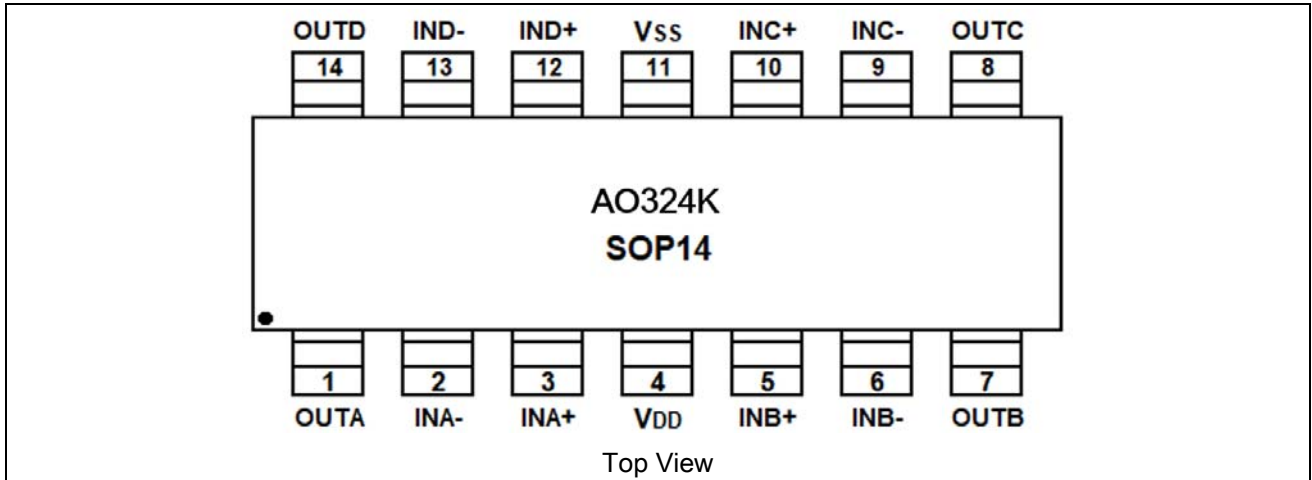
- Home Theaters, Chemical and Gas Sensors
- Digital Multimeter: Bench and Systems
- Field Transmitter: Temperature Sensors
- Mother Control: AC Induction, Brushed DC, Brushless DC, High-Voltage, Low-Voltage, Permanent Magnet, and Stepper Motor
- Oscilloscopes
- TV: LED and Digital
- Temperature Sensors and Controllers Using Modbus
- Weight Scales
- Walkie-Talkie, Multivibrators
- Battery Management Solution
- Transducer Amplifiers, Summing Amplifiers
- Portable Systems

TYPICAL APPLICATION





PIN DESCRIPTION



Pin #	Symbol	Function
1	OUTA	Output A
2	INA-	Analog Inverting Input A
3	INA+	Analog Positive Input A
4	V _{DD}	Positive Power Supply Input
5	INB+	Analog Positive Input B
6	INB-	Analog Inverting Input B
7	OUTB	Output B
8	OUTC	Output C
9	INC-	Analog Inverting Input C
10	INC+	Analog Positive Input C
11	V _{SS}	Ground or Negative Power Supply Input
12	IND+	Analog Positive Input D
13	IND-	Analog Inverting Input D
14	OUTD	Output D



ABSOLUTE MAXIMUM RATINGS

Parameter	Symbol	Max
Power Supply Voltage	Vcc	±20V or 40V
Differential input voltage	V _{I(DIFF)}	40V
Input Voltage	V _I	-0.3V~40V
Operating Temperature Range	T _{opr}	-25°C ~+85°C
Storage Temperature Range	T _{stg}	-65°C ~+150°C

Stress beyond above listed "Absolute Maximum Ratings" may lead permanent damage to the device. These are stress ratings only and operations of the device at these or any other conditions beyond those indicated in the operational sections of the specifications are not implied. Exposure to absolute maximum rating conditions for extended periods may affect device reliability.



ELECTRICAL CHARACTERISTICS

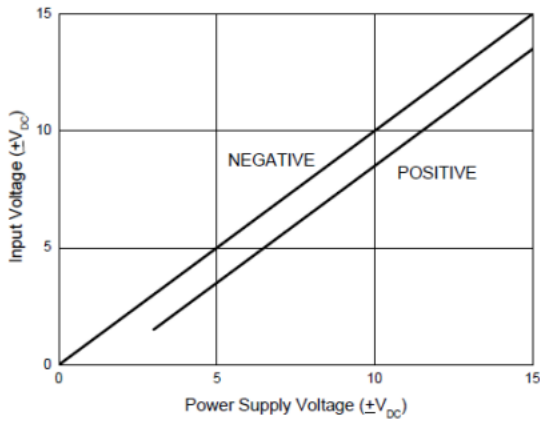
V_S = +15V, T_A=25°C, unless otherwise noted.

Parameter	Symbol	Conditions	Min	Typ	Max	Unit
INPUT CHARACTERISTICS						
Input Offset Voltage	V _{OS}	V _{CM} = V _S /2	-	0.4	5	mV
Input Bias Current	I _B		-	20	-	nA
Input Offset Current	I _{OS}		-	5	-	nA
Common-Mode Voltage Range	V _{CM}	V _S = 5.5V	-	-0.1 to +4	-	V
Common-Mode Rejection Ratio	CMRR	V _{CM} = 0V to V _S -1.5V	60	70	-	dB
Open-Loop Voltage Gain	A _{OL}	R _L = 5kΩ, V _O = 1V to 11V	85	100	-	dB
Input Offset Voltage Drift	ΔV _{OS} /ΔT		-	7	-	μV/°C
OUTPUT CHARACTERISTICS						
Output Voltage Swing from Rail	V _{OH}	R _L = 2kΩ	-	11	-	V
	V _{OL}	R _L = 2kΩ	-	5	20	mV
	V _{OH}	R _L = 10kΩ	-	12	13	V
	V _{OL}	R _L = 10kΩ	-	5	20	mV
Output Current	I _{SOURCE}	R _L = 10Ω to V _S /2	-	40	60	mA
	I _{SINK}		-	40	60	
POWER SUPPLY						
Operating Voltage Range			3	-	-	V
			-	-	36	V
Power Supply Rejection Ratio	PSRR	V _S = +5V to +30V, V _{CM} = +0.5V	70	100	-	dB
Quiescent Current/Amplifier	I _Q	V _S =30V, R _L = ∞	-	0.25	2.0	mA
DYNAMIC PERFORMANCE						
Gain-Bandwidth Product	GBP		-	1	-	MHz
Slew Rate	SR	G = +1, 2V Output Step	-	0.2	-	V/μs

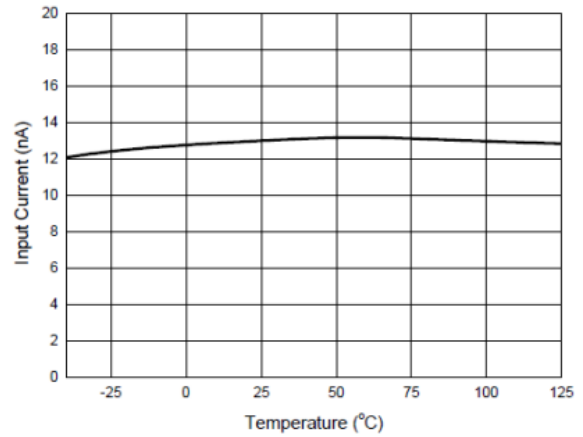


TYPICAL PERFORMANCE CHARACTERISTICS

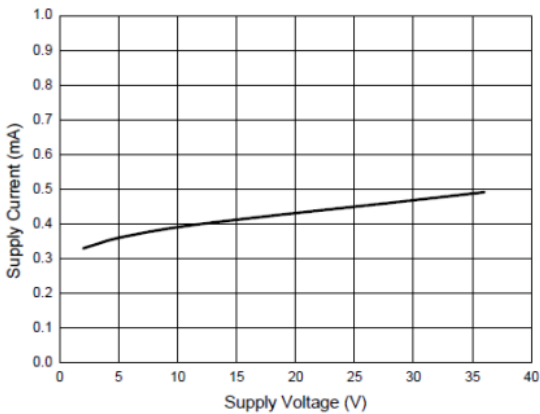
1. Input Voltage Range



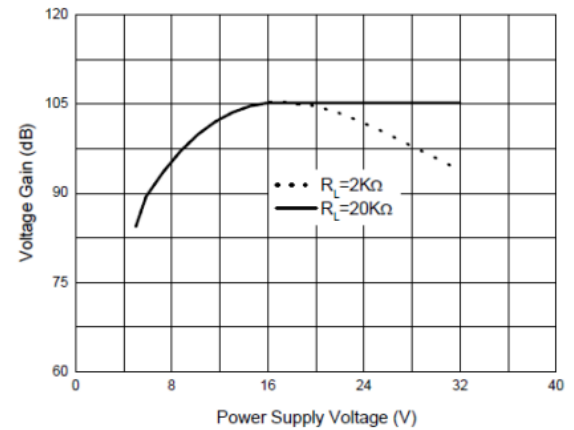
2. Input Current



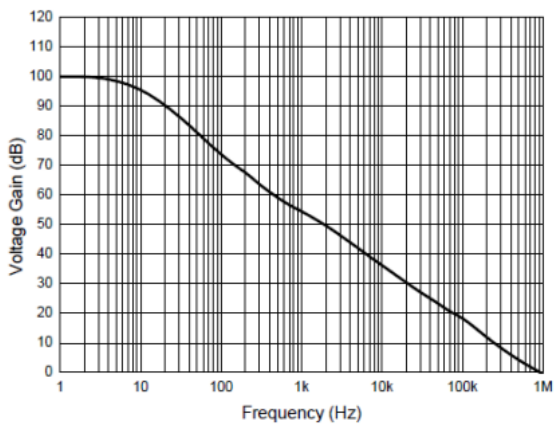
3. Supply Current



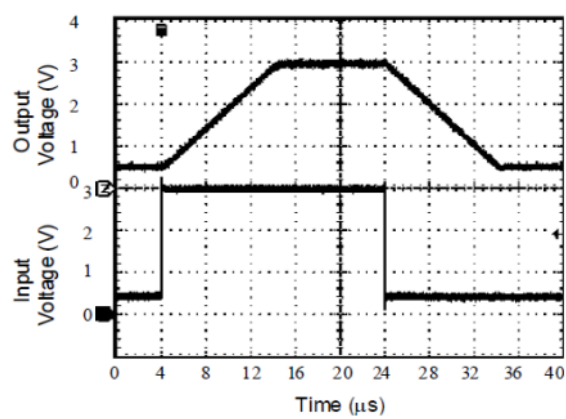
4. Voltage Gain



5. Open Loop Frequency Response

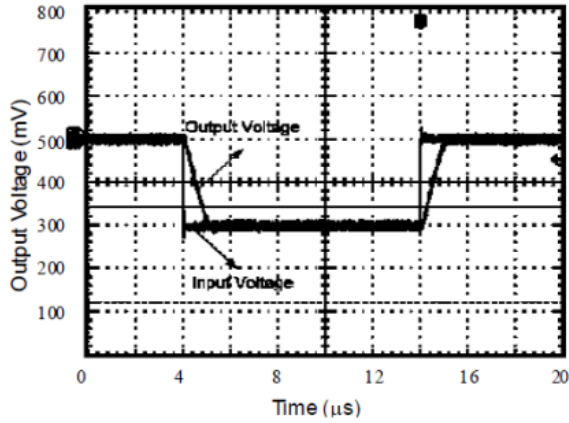


6. Voltage Follower Pulse Response

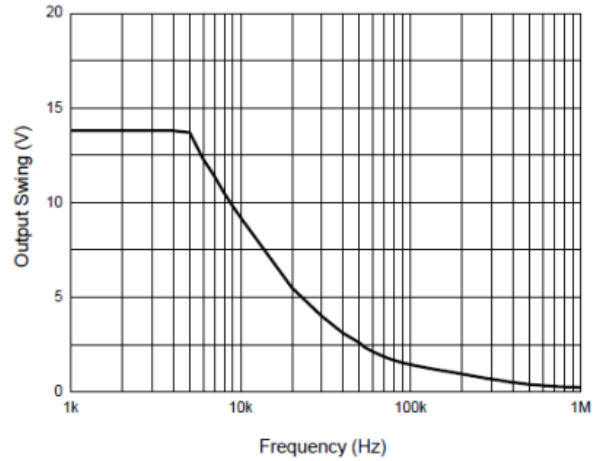




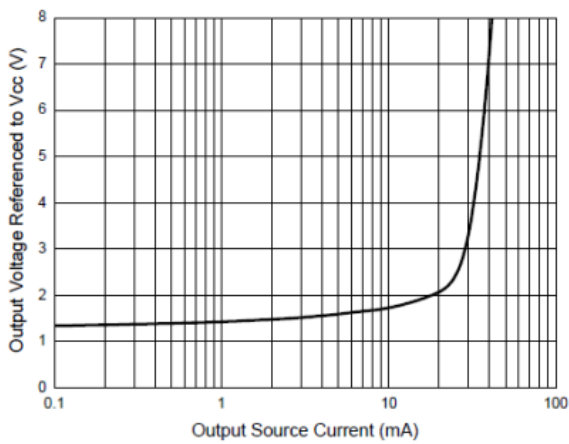
7. Voltage Follower Pulse Response(Small Signal)



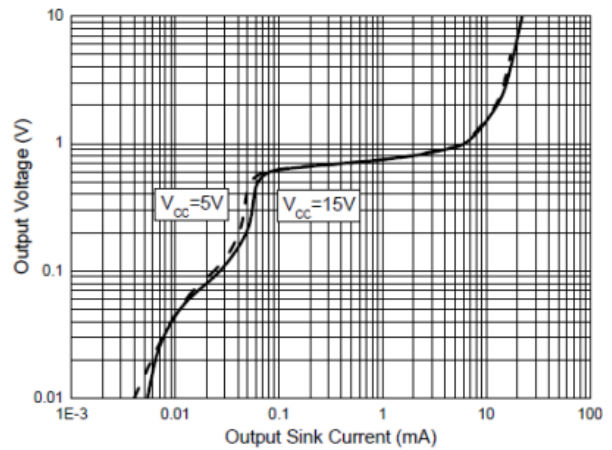
8. Large Signal Frequency Response



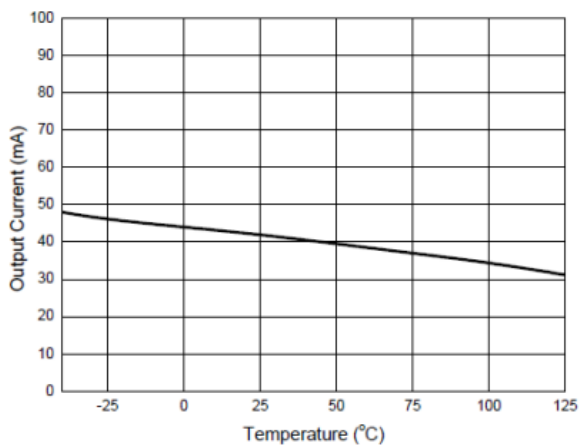
9. Output Characteristics :Current Sourcing



10. Output Characteristics : Current Sinking

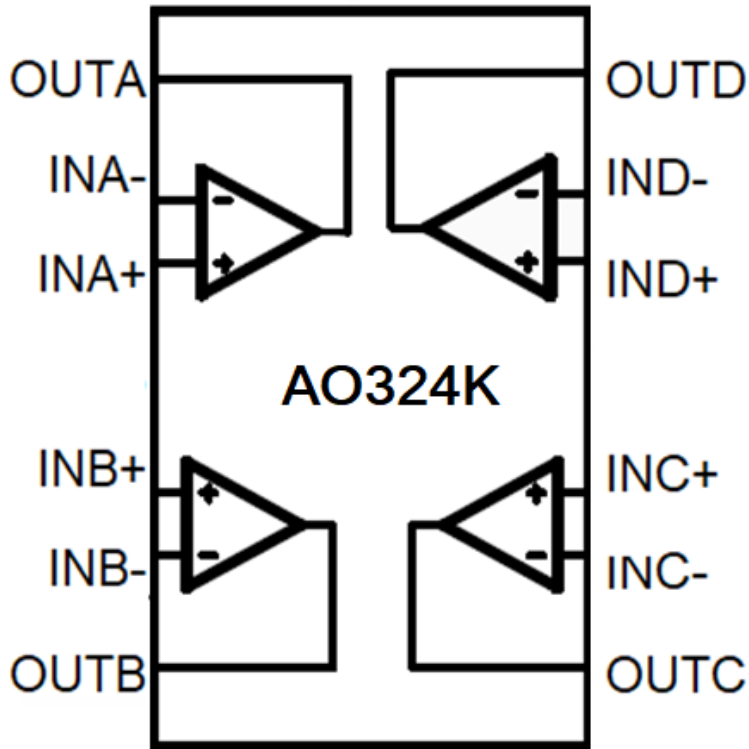


11. Current Limiting





BLOCK DIAGRAM





DETAILED INFORMATION

AO324K series op amps is unity-gain stable and suitable for a wide range of general-purpose applications.

Power Supply Bypassing and Board Layout

AO324K operates from a single 3V to 36V supply or dual $\pm 1.5V$ to $\pm 18V$ supplies. For best performance, a $0.1\mu F$ ceramic capacitor should be placed close to the V_{DD} pin in single supply operation. For dual supply operation, both V_{DD} and V_{SS} supplies should be bypassed to ground with separate $0.1\mu F$ ceramic capacitors.

Low Supply Current

The low supply current (typical $250\mu A$ per channel) of AO324K will help to maximize battery life.

Operating Voltage

AO324K operates under wide input supply voltage (3V to 36V). In addition, all temperature specifications apply from $-25^{\circ}C$ to $+85^{\circ}C$. Most behavior remains unchanged throughout the full operating voltage range. These guarantees ensure operation throughout the single Li-Ion battery lifetime.

Capacitive Load Tolerance

The AO324K is optimized for bandwidth and speed, not for driving capacitive loads. Output capacitance will create a pole in the amplifier's feedback path, leading to excessive peaking and potential oscillation. If dealing with load capacitance is a requirement of the application, the two strategies to consider are (1) using a small resistor in series with the amplifier's output and the load capacitance and (2) reducing the bandwidth of the amplifier's feedback loop by increasing the overall noise gain.

Figure 1. shown a unity gain follower using the series resistor strategy. The resistor isolates the output from the capacitance and, more importantly, creates a zero in the feedback path that compensates for the pole created by the output capacitance.

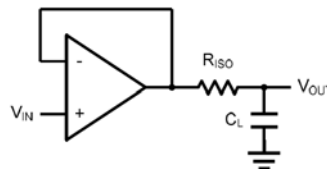


Figure 1. Indirectly Driving a Capacitive Load Using Isolation Resistor

The bigger the R_{ISO} resistor value, the more stable V_{OUT} will be. However, if there is a resistive load R_L in parallel with the capacitive load, a voltage divider (proportional to R_{ISO}/R_L) is formed, this will result in a gain error.

The circuit in Figure 2 is an improvement to the one in Figure 1. R_F provides the DC accuracy by feed-forward the V_{IN} to R_L . C_F and R_{ISO} serve to counteract the loss of phase margin by feeding the high frequency component of the output signal back to the amplifier's inverting input, thereby preserving the phase margin in the overall feedback loop. Capacitive drive can be increased by increasing the value of C_F . This in turn will slow down the pulse response.

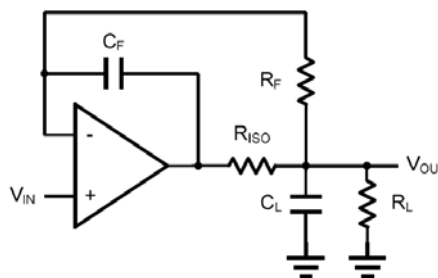


Figure 2. Indirectly Driving a Capacitive Load with DC Accuracy



Typical Application Circuits

Differential amplifier

The differential amplifier allows the subtraction of two input voltages or cancellation of a signal common to the two inputs. It is useful as a computational amplifier in making a differential to single-end conversion or in rejecting a common mode signal. Figure 3 shows the differential amplifier using AO324K.

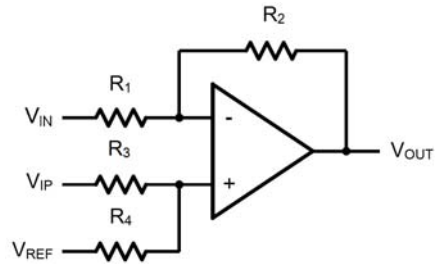


Figure 3. Differential Amplifier

$$V_{OUT} = \left(\frac{R_1 + R_2}{R_3 + R_4} \right) \frac{R_4}{R_1} V_{IN} - \frac{R_2}{R_1} V_{IP} + \left(\frac{R_1 + R_2}{R_3 + R_4} \right) \frac{R_3}{R_1} V_{REF}$$

If the resistor ratios are equal (i.e. $R_1=R_3$ and $R_2=R_4$), then

$$V_{OUT} = \frac{R_2}{R_1} (V_{IP} - V_{IN}) + V_{REF}$$

Low Pass Active Filter

The low pass active filter is shown in Figure 4. The DC gain is defined by $-R_2/R_1$. The filter has a -20dB/decade roll-off after its corner frequency $f_c = 1/(2\pi R_3 C_1)$.

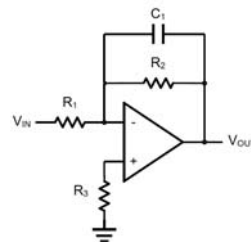


Figure 4. Low Pass Active Filter

Instrumentation Amplifier

The triple AO324K can be used to build a three-op-amp instrumentation amplifier as shown in Figure 5. The amplifier in Figure 5 is a high input impedance differential amplifier with gain of R_2/R_1 . The two differential voltage followers assure the high input impedance of the amplifier.

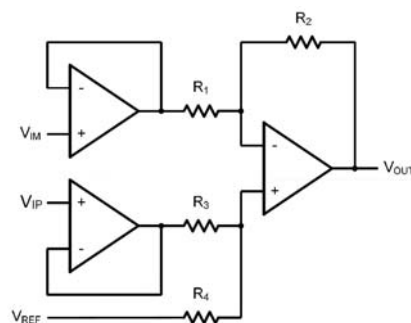
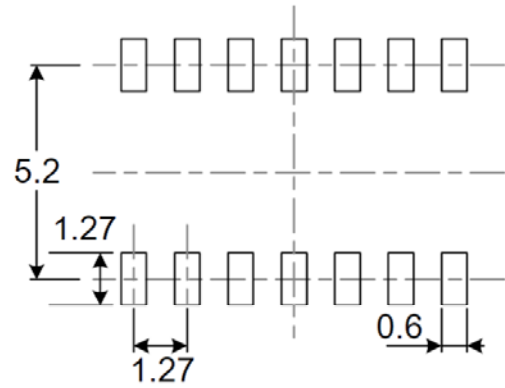
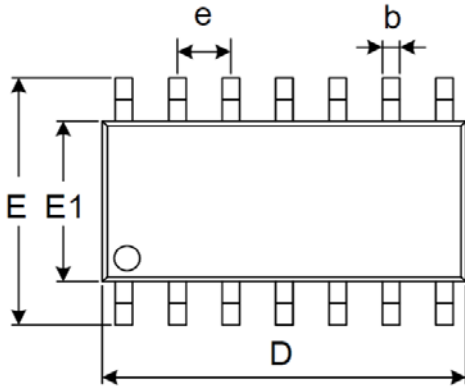


Figure 5. Instrument Amplifier

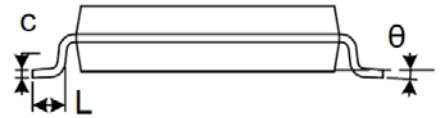
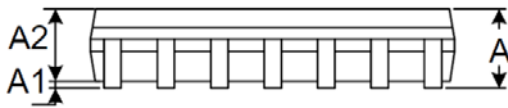


PACKAGE INFORMATION

Dimension in SOP14 (Unit: mm)



RECOMMENDED LAND PATTERN (Unit: mm)



Symbol	Millimeters	
	Min	Max
A	1.350	1.750
A1	0.100	0.250
A2	1.350	1.550
b	0.310	0.510
c	0.100	0.250
D	8.450	8.850
e	1.270 BSC	
E	5.800	6.200
E1	3.800	4.000
L	0.400	1.270
θ	0°	8°



IMPORTANT NOTICE

AiT Semiconductor Inc. (AiT) reserves the right to make changes to any its product, specifications, to discontinue any integrated circuit product or service without notice, and advises its customers to obtain the latest version of relevant information to verify, before placing orders, that the information being relied on is current.

AiT Semiconductor Inc. 's integrated circuit products are not designed, intended, authorized, or warranted to be suitable for use in life support applications, devices or systems or other critical applications. Use of AiT products in such applications is understood to be fully at the risk of the customer. As used herein may involve potential risks of death, personal injury, or severe property, or environmental damage. In order to minimize risks associated with the customer's applications, the customer should provide adequate design and operating safeguards.

AiT Semiconductor Inc. assumes to no liability to customer product design or application support. AiT warrants the performance of its products of the specifications applicable at the time of sale.