



DESCRIPTION

A6518 is a positive voltage adjustable output, low power consumption, low dropout voltage regulator. A6518 can provide output value adjustable from 0.8V to 5.0V.

A6518 includes high accuracy voltage reference, error amplifier, current limit circuit and output driver module with discharge capability.

A6518 has excellent load and line transient response and good temperature characteristics, which can assure the stability of chip and power system. And it also provides foldback short-circuit protection, thermal protection and output current limit function.

The A6518 is available in SOT-25 package.

ORDERING INFORMATION

Package Type	Part Number	
SOT-25 SPQ: 3,000pcs/Reel	E5	A6518E5R-ADJ
		A6518E5VR-ADJ
Note	V: Halogen free Package R: Tape & Reel	
AiT provides all RoHS products		

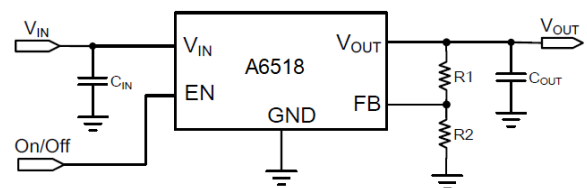
FEATURES

- Low Power Consumption: 30μA (Typ.)
- Maximum output current: 500mA
- Low dropout Voltage:
450mV@I_{OUT}=500mA, V_{OUT}=3.3V
- Input voltage range: 1.7 to 7.5V
- Adjustable Output from 0.8V to 5.0V
- Output current limit: 800mA (Typ.)
- Available in SOT-25 package

APPLICATION

- Power source for cellular phones and various kind of PCSs
- Battery Powered equipment
- Power Management of MP3, PDA, DSC, Mouse, PS2 Games
- Reference Voltage Source
- Regulation after Switching Power

TYPICAL APPLICATION



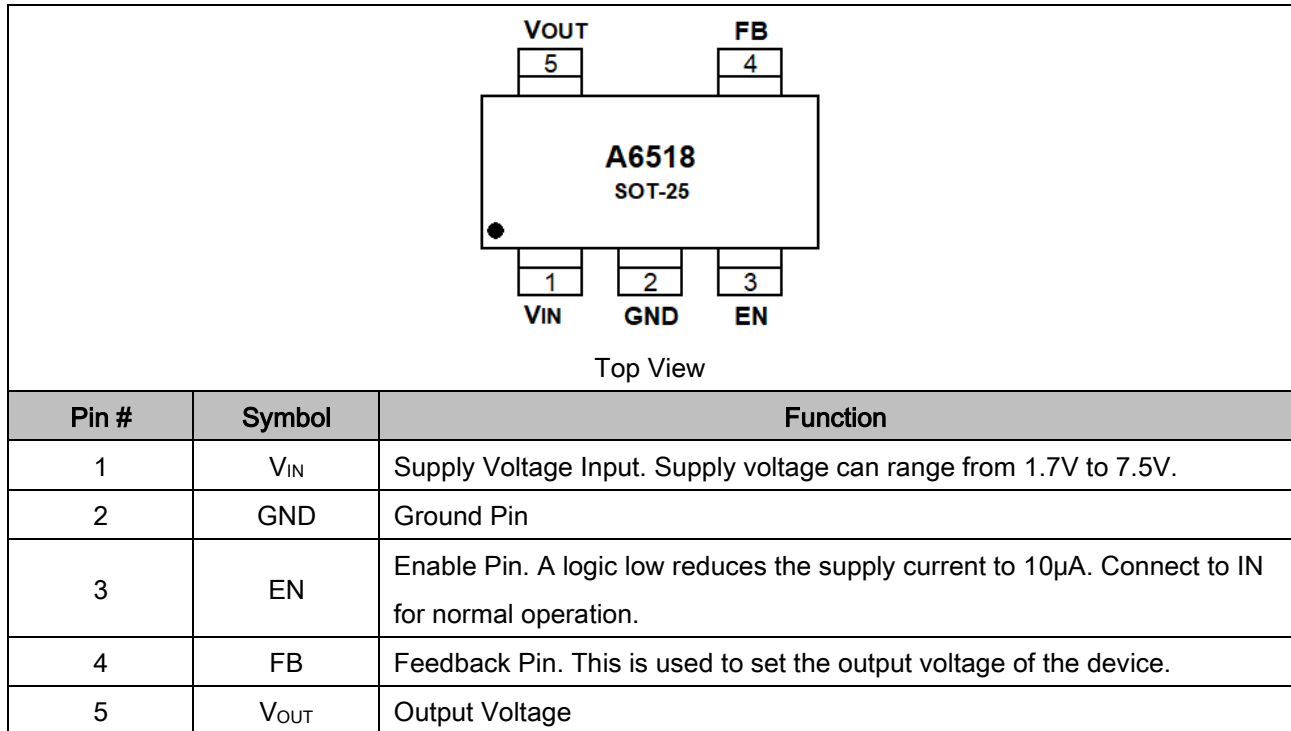
NOTE:

1) Input capacitor (C_{IN}=1μF) and Output capacitor (C_{OUT}=1μF) are recommended in all application circuit.

2) $V_{OUT} = V_{FB} * (1 + \frac{R1}{R2})$, V_{FB}=0.8V



PIN DESCRIPTION





ABSOLUTE MAXIMUM RATINGS

Max Input Voltage	8V
T _J , Operating Junction Temperature	150°C
T _A , Ambient Temperature	-40°C~85°C
Power Dissipation	SOT-25 400mW
T _S , Storage Temperature	-40°C~150°C
Lead Temperature & Time	260°C, 10s

Stress beyond above listed "Absolute Maximum Ratings" may lead permanent damage to the device. These are stress ratings only and operations of the device at these or any other conditions beyond those indicated in the operational sections of the specifications are not implied. Exposure to absolute maximum rating conditions for extended periods may affect device reliability.

RECOMMENDED WORK CONDITIONS

Parameter	Value
Input Voltage Range	1.7V to 7.5V
Ambient Temperature	-40°C to 85°C



ELECTRICAL CHARACTERISTICS

Test Conditions: $C_{IN}=1\mu F$, $C_{OUT}=1\mu F$, $T_A=25^\circ C$, unless otherwise specified.

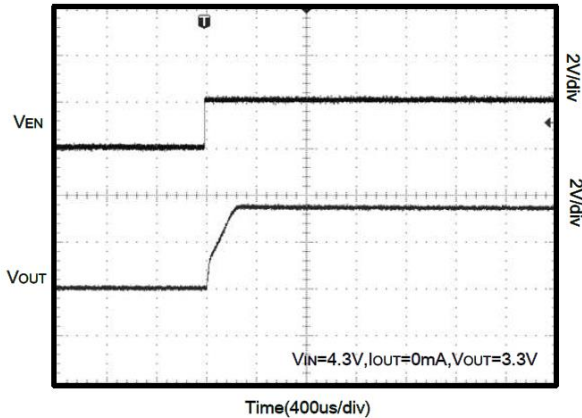
Parameter	Symbol	Conditions	Min.	Typ.	Max.	Unit
Input Voltage	V_{IN}		1.7	-	7.5	V
Regulated Feedback Voltage	V_{FB}	$I_{OUT}=0.1mA$	0.79	0.81	0.83	V
Dropout Voltage	V_{DROP}^*	$V_{OUT}=1.2V, I_{OUT}=500mA$	-	900	-	mV
		$V_{OUT}=1.5V, I_{OUT}=500mA$	-	630	-	
		$V_{OUT}=3.3V, I_{OUT}=500mA$	-	450	-	
Line Regulation	ΔV_{LNR}	$V_{IN} = (V_{OUT} + 0.5V)$ to $5.5V, I_{OUT} = 1mA$	-	0.1	0.2	%/V
Load Regulation	ΔV_{LOAD}	$I_{OUT}=0.1mA$ to $500mA$ $C_{OUT}=1\mu F$	-	0.5	10	mV
Supply Current	I_Q	No load	-	30	40	μA
Supply Current	$I_{STANDBY}$	$V_{IN}=V_{OUT}+1V, V_{EN}=GND$	-	0.1	1.0	μA
Output Voltage Temperature Coefficient	$\frac{\Delta V_{OUT}}{\Delta T \times V_{OUT}}$	$I_{LOAD} = 0.1mA$	-	35	-	ppm/ $^\circ C$
EN Input Voltage "H"	V_{ENH}	$V_{IN}=5V$	1.8	-	-	V
EN Input Voltage "L"	V_{ENL}	$V_{IN}=5V$	-	-	0.6	V
Ripple Rejection	PSRR	$f=1kHz$	-	70	-	dB
Current Limit	I_{LIM}	$V_{IN}=4.3V, V_{OUT}=3.3V$	500	800	-	mA
Thermal Shutdown Temp	T_{SD}		-	150	-	$^\circ C$
Thermal Shutdown Hysteresis	T_{SH}		-	15	-	$^\circ C$



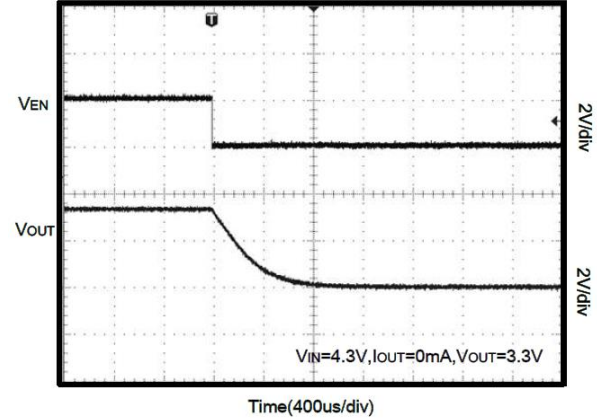
TYPICAL PERFORMANCE CHARACTERISTICS

$V_{IN} = V_{OUT(NOMINAL)} + 0.5V$, $V_{OUT}=3.3V$, $C_{IN} = 1\mu F$, $C_{OUT} = 1\mu F$, $T_A = +25^\circ C$, unless otherwise noted.

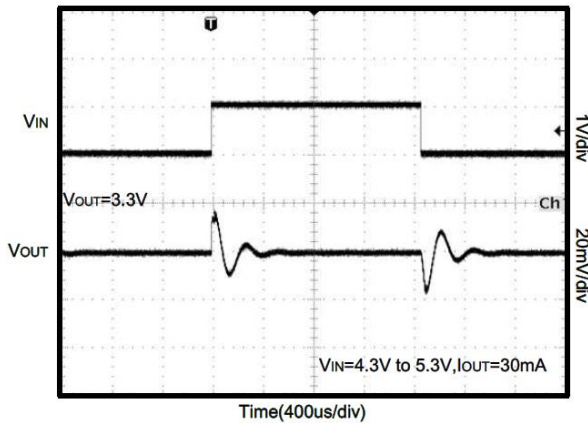
1. Turn On Speed With EN Pin



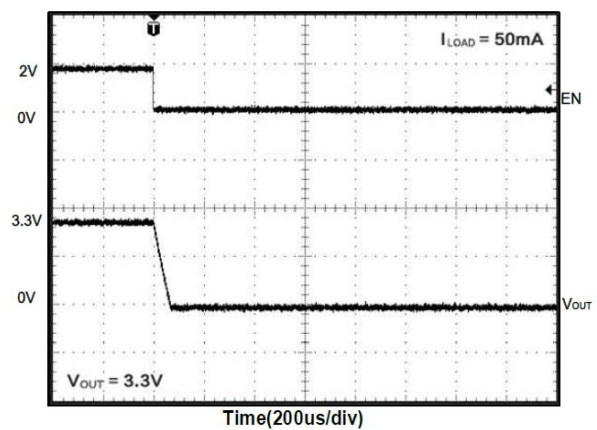
2. Turn Off Speed With EN Pin



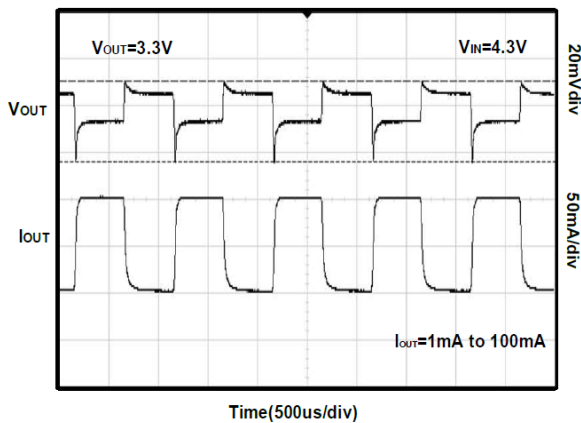
3. Line Transient Response



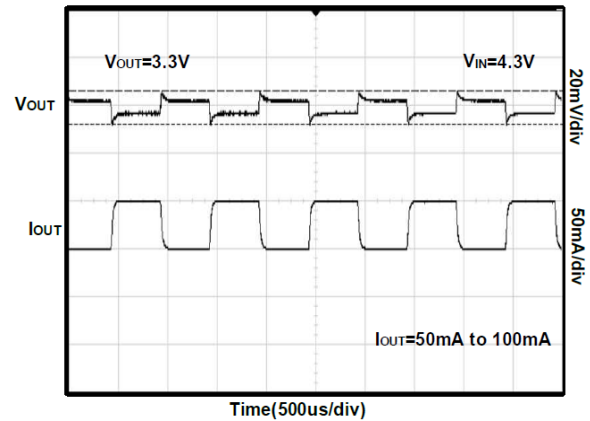
4. Shutdown



5. Load Transient Response

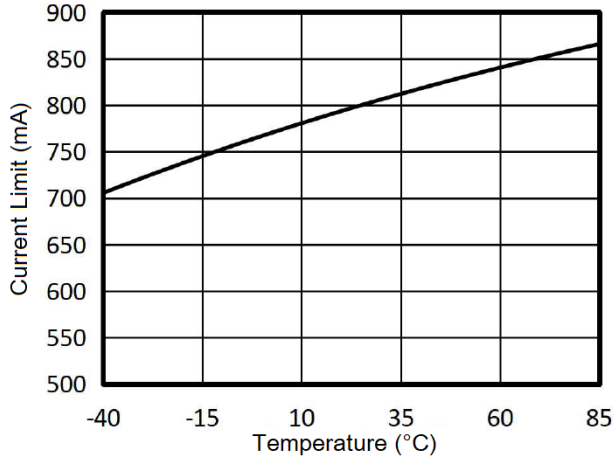


6. Load Transient Response

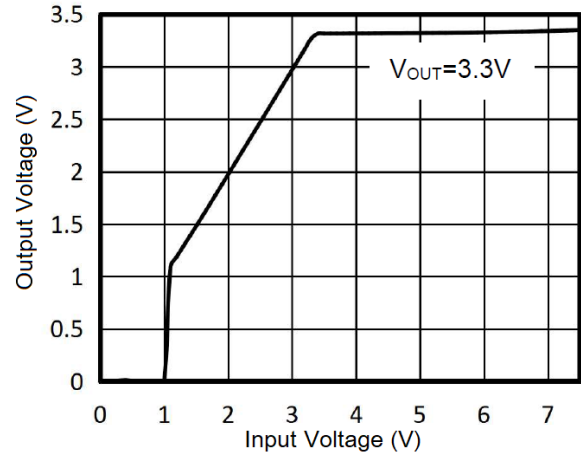




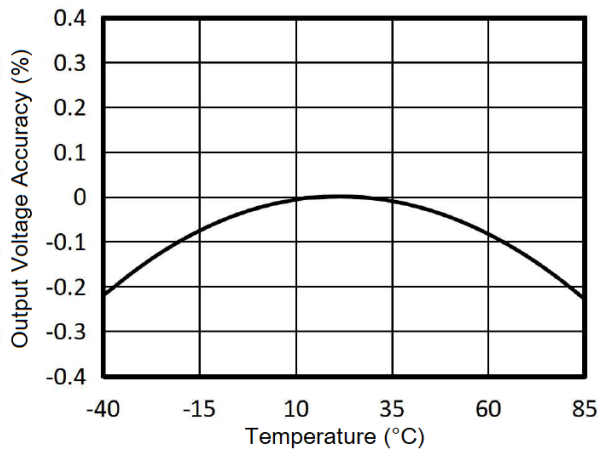
7. Current Limit vs. Temperature



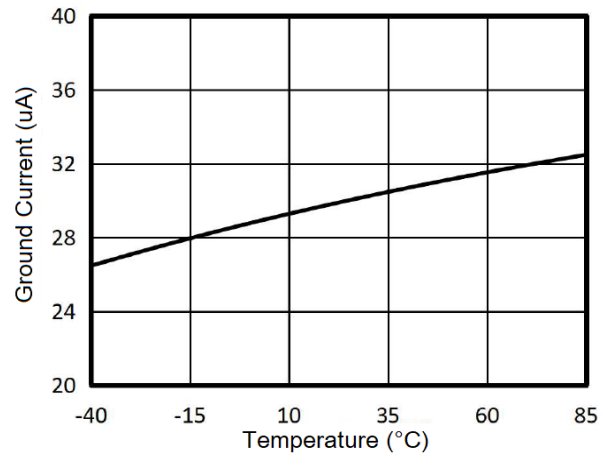
8. Output Voltage vs. Input Voltage



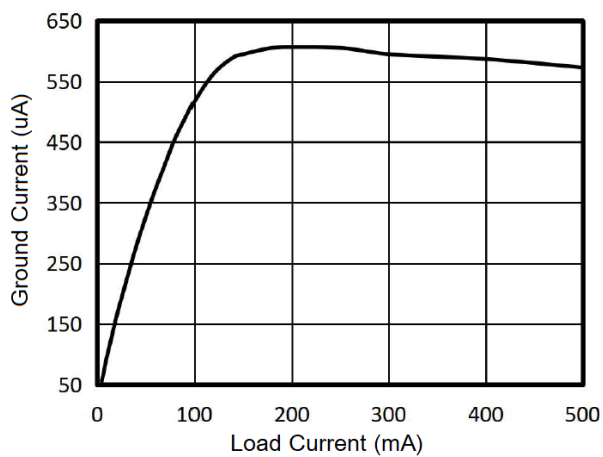
9. Output Voltage Accuracy vs. Temperature



10. Ground Current vs. Temperature

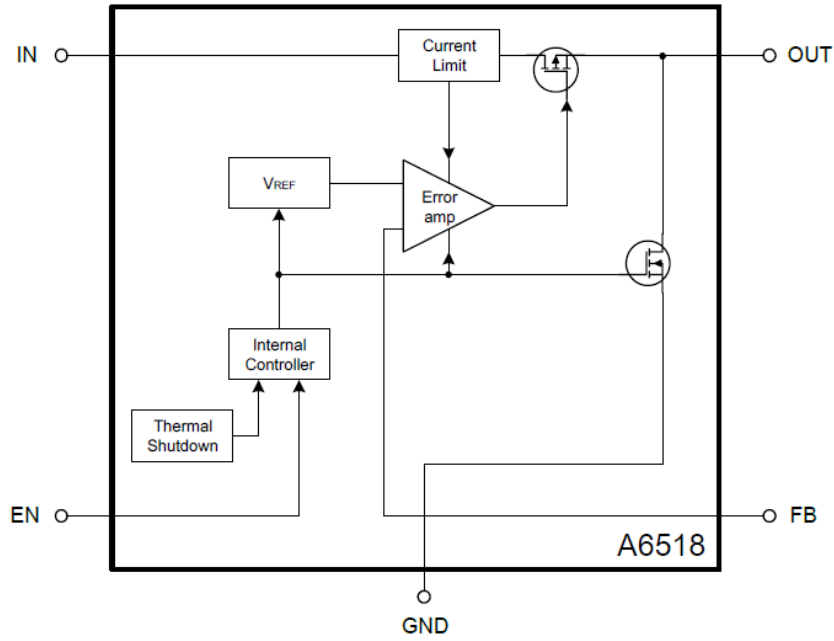


11. Ground Current vs. Load Current





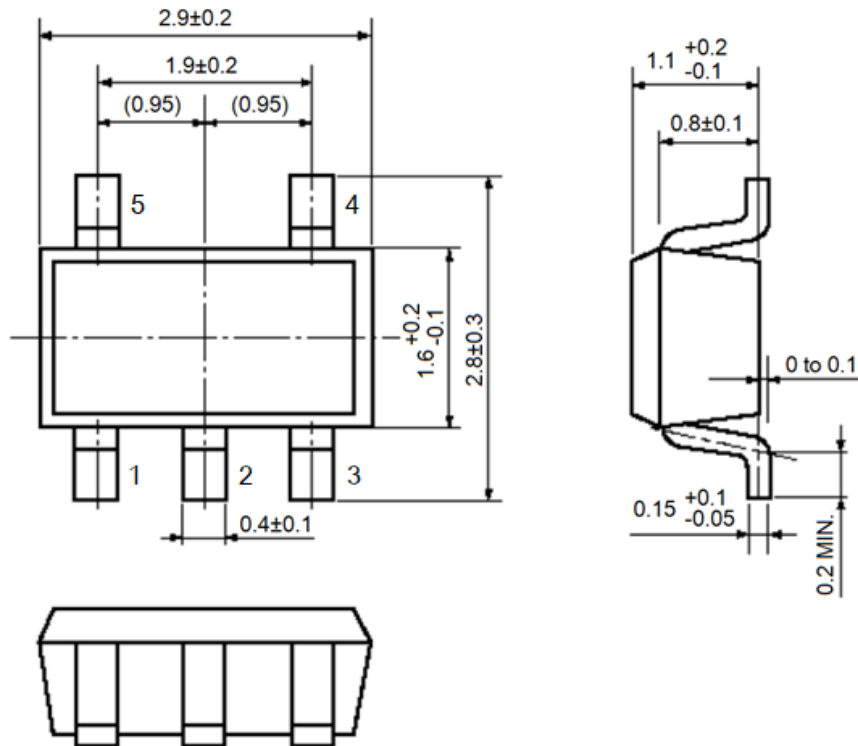
BLOCK DIAGRAM





PACKAGE INFORMATION

Dimension in SOT-25 (Unit: mm)





IMPORTANT NOTICE

AiT Semiconductor Inc. (AiT) reserves the right to make changes to any its product, specifications, to discontinue any integrated circuit product or service without notice, and advises its customers to obtain the latest version of relevant information to verify, before placing orders, that the information being relied on is current.

AiT Semiconductor Inc.'s integrated circuit products are not designed, intended, authorized, or warranted to be suitable for use in life support applications, devices or systems or other critical applications. Use of AiT products in such applications is understood to be fully at the risk of the customer. As used herein may involve potential risks of death, personal injury, or severe property, or environmental damage. In order to minimize risks associated with the customer's applications, the customer should provide adequate design and operating safeguards.

AiT Semiconductor Inc. assumes to no liability to customer product design or application support. AiT warrants the performance of its products of the specifications applicable at the time of sale.